

# SERIES 7240

HEAT RECOVERY VENTILATOR  
FOR APARTMENTS AND CONDOMINIUMS



part #672400



## AÉROMATIC 7240


The AÉROMATIC 7240 is a heat recovery ventilator of 118 CFM. It is conceived for apartments and condominiums. Its compact conception and its ducts configuration save valuable space.

The AÉROMATIC 7240 offers impressive heat recovery efficiency for such a small case. The electronic Control card offers an electronic calibration of the appliance as well as infinite speeds of operations.

- Compact
- Door opens from underneath so the appliance can be very close to the ceiling
- Flexibility of operation
- Integrated Thermal Sensor
- Circulation defrost, to prevent depressurisation
- Inside Lining is aluminum to facilitate cleaning
- Silent
- Very economical

## Norms and certifications

- Conformity to Norms :
  - C22.2 no113
  - UL 507

- Certified 

## Casing

Material : Pre-painted steel 24GA  
Isolation : fibre glass with FSK  
Drain connection : Ø3/8"  
Duct diameter: Ø5 in  
Height : 10 in  
Width : 22 1/4 in  
Depth : 24 1/8 in  
Weight : 35 lbs

## Mount

Suspended by chains with anti-vibration springs or on a shelf

## Ventilators

Number : 2  
Type : Motorized impeller (forward inclined centrifugal fan)

## Electrical Specifications

Tension : 120 VAC  
Frequency : 60 Hz  
Amperage : 1.5 A  
Power : 180 Watt  
Extension Cord: 3 feet with a 3 prongs plug

## Control

Low voltage dry contact (24 VAC) for :

- Liquid crystal display electronic humidistat #611227
- Mode Control (exchange or recirculation) #611230
- Humidity Control #611224
- Speed Control (intermittent, high or low speed) #611229
- Timer #611228

## Defrost

### DEFROST CYCLE TEMPERATURE

| Outside temperature         |                               | Standard     |
|-----------------------------|-------------------------------|--------------|
| Celsius                     | Fahrenheit                    | min def/vent |
| $t \geq -4^{\circ}\text{C}$ | $t \geq 24.8^{\circ}\text{F}$ | n.a.         |
| $-4 > t > -27$              | $24.8 \geq t \geq -16.6$      | 6/20         |
| $-27 \geq t$                | $-16.6 \geq t$                | 10/20        |

- Cycles Controlled by a temperature sensor
- By recirculation

## Filters

Number : 2  
Type : washable foam 20 ppi #612405  
Type options ; Aluminium #612404, Carbon #612406 or high efficiency #612407  
Dimensions : 7 1/16 in X 11 1/2 in X 3/8 in

## Recovery Core

Material : Polypropylene  
Dimensions : 11 15/16 in x 11 15/16 in x 7 in  
Step : 2.5mm

## Warranty

Appliance : limited 5 years  
Core Assembly : limited life time

846, de la Station, bureau 101 - Saint-Léonard d'Aston (Québec) - Canada J0C 1M0  
T 819.399.3400 1.800.262.0916 - F 819.399.4001 - [info@air2000.ca](mailto:info@air2000.ca) - [www.air2000.ca](http://www.air2000.ca)

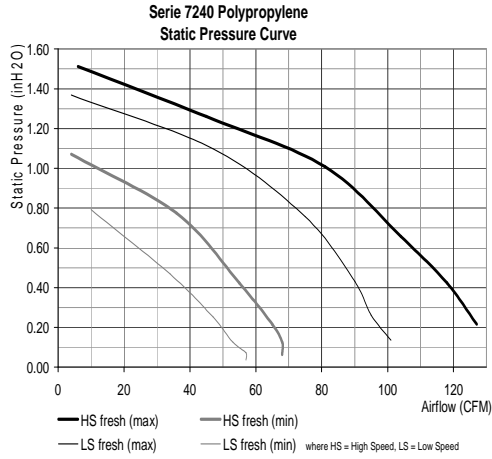
# SERIES 7240

## HEAT RECOVERY VENTILATOR

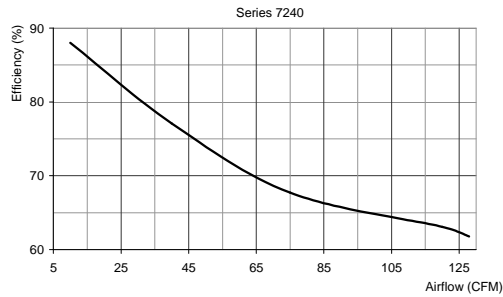
### FOR APARTMENTS AND CONDOMINIUMS



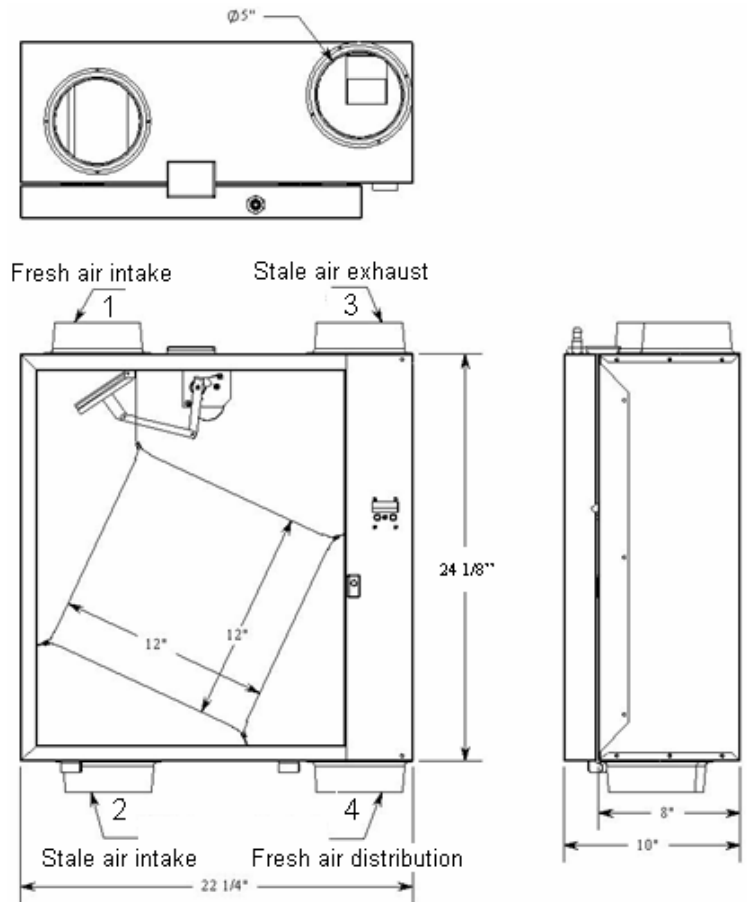
#### Ventilator Performance



#### Apparent Effectiveness



#### Dimensions



|                |           |            |              |
|----------------|-----------|------------|--------------|
| Submitted by : |           | Date :     | Project :    |
| Qty :          | Model # : | Comments : | Location :   |
|                |           |            | Architect :  |
|                |           |            | Engineer :   |
|                |           |            | Contractor : |

846, de la Station, bureau 101 - Saint-Léonard d'Aston (Québec) - Canada J0C 1M0  
T 819.399.3400 1.800.262.0916 - F 819.399.4001 - [info@air2000.ca](mailto:info@air2000.ca) - [www.air2000.ca](http://www.air2000.ca)