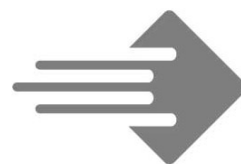


air 2000 Axial Fan HE Series



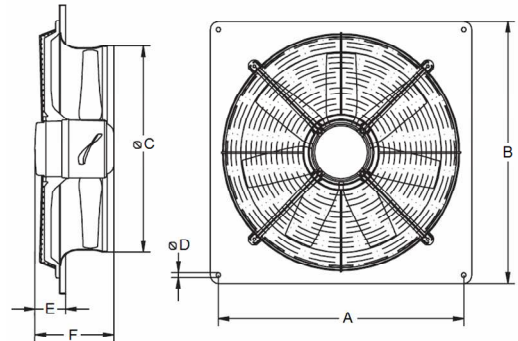
- Robust aluminium die-casted fan blades with rectangular plates for plug & play solutions.
- High efficiency fans due to profiled fan blades.
- Low installation profile.
- Fully voltage speed controllable.
- Color RAL 7032 (pepple grey).
- Finger protection.
- With terminal box and capacitor
- Available fan range between 12" (310mm) to 36" (910mm).



air 2000
Because **air** is **vital**

Performance data and Specifications HE series

- Voltage 230VAC
- Variable speed
- Terminal box and capacitor included
- CSA approved
- Ziehl-Abegg quality product **ZIEHL-ABEGG**



Model	Part #	Dia (in)	Power (Watt)	Current (A)	C400V (uF)	Speed (RPM)	Dimensions (mm ,in)						CFM/Watts @ ,1" S.P.	Sound level (dBA)	Weight (lbs)
							A	B	C	D	E	F			
HE12-B04.Q	656124	12	160	0.75	3	max 1 520 min 300	380 14.961	430 16.929	320 12.579	9 0.354	22 0.866	91 3.583	8.13	72	12.8
HE14-B04.Q	656144	14	240	1.05	4	max 1 450 min 300	435 17.126	485 19.094	367 14.449	9 0.354	24 0.945	75 2.953	8.54	72	15.7
HE16-B04.Q	656164	16	370	1.65	6	max 1 650 min 300	490 19.291	540 21.260	413 16.240	9 0.354	31 1.220	119 4.685	7.70	83	24.5
HE16-B06.Q	656166	16	210	0.90	4	max 1 090 min 300	490 19.291	540 21.260	412 16.220	9 0.354	25 0.984	131 5.157	10.12	69	20.7
HE18-B04.Q	656184	18	560	2.50	8	max 1 520 min 300	535 21.063	575 22.638	463 18.228	11 0.433	28 1.102	141 5.551	7.14	79	28.0
HE18-B06.Q	656186	18	200	0.96	4	max 960 min 300	535 21.063	575 22.638	463 18.228	11 0.433	28 1.102	126 4.961	10.63	71	24.9
HE20-B04.Q	656204	20	890	3.90	14	max 1 480 min 300	615 24.213	655 25.787	517 20.354	11 0.433	77 3.031	218 8.583	4.89	86	41.2
HE20-B06.Q	656206	20	270	1.35	6 / 8	max 870 min 300	615 24.213	655 25.787	517 20.354	11 0.433	77 3.031	198 7.795	10.74	76	36.6
HE22-B06.Q	656226	22	800	3.50	12	max 1 050 min 300	675 26.575	725 28.543	568 22.362	11 0.433	60 2.362	179 7.047	7.00	77	49.6
HE25-B06.Q	656256	25	860	3.90	15	max 960 min 300	750 29.528	805 31.693	643 25.315	11 0.433	64 2.520	218 8.583	8.43	83	54.0
HE36-B06.Q	656366	36	1 400	6.10	20	max 940 min 300	1010 39.764	1070 41.732	922 36.303	15 0.591	37 1.457	227 8.967	10.00	87	110.0

Airflow capacity

