



# COMMERCIAL MODELS HRV

# 8220

## LIGHT COMMERCIAL 400 CFM

### AEROMATIC 8220

This heat recovery ventilator is the ideal high performance unit for spacious homes, businesses, daycare centers, clinics, bars, restaurants, etc.

The Aeromatic 8220 is the ultimate solution to prevent excess humidity and improve air quality.

- High performance air flow
- Silent
- Highly cost-effective and energy-efficient
- 3-year warranty on unit
- Lifetime warranty on recovery core
- Certified



**air 2000**

Because **air** is vital

846, rue de la Station, bureau 101, Saint-Léonard-d'Aston (Québec) J0C 1M0  
T: 819.399.3400 1 800 262.0916 F: 819.399.4001 info@air2000.ca

### FEATURES

#### Case

- 20-gauge pre-painted steel
- 1 in. foil faced fiberglass for better insulation and sound-proofing
- Easy maintenance aluminum casing
- 3/8 in. diameter drain

#### Mounting

- 8 in. x 8 in. ducts
- Unit may be mounted on a platform or hanging by chains and spring damping mechanism to provide silent operation

#### Serviceability

- Easy accessible components
- Washable filters and heat recovery core
- Maintenance free motors

#### Control

- Low voltage (24 Vac)
- Relay logic
- Optional LCD display

#### Blowers

- 2 2-speed double inlet fans
- Adjustable ventilation speed
- Intermittent or continuous ventilation mode
- High ventilation flow: 400 CFM

#### Filters

- 2 aluminum filters
- Optional: Coal filter (odors) or high efficiency filter (dust)

#### Defrost

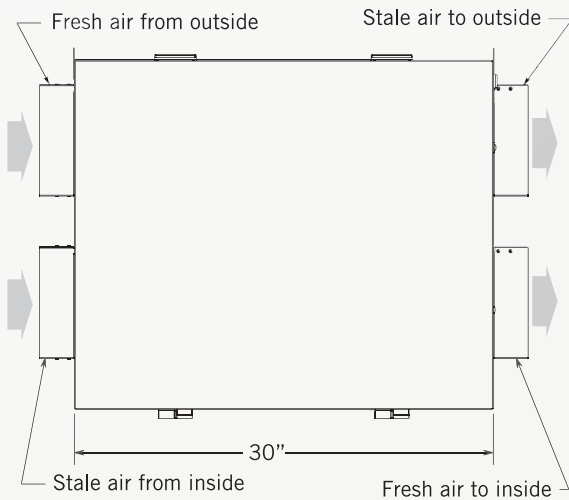
- Cycles controlled by temperature sensor
- Functions by shutting off the air inlet fan

#### Heat recovery

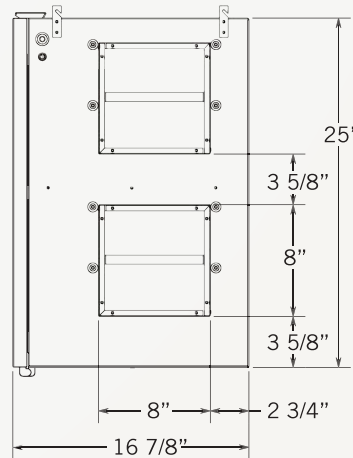
- Core designed to recover maximum heat from expelled air
- Polypropylene core resistant to extreme temperature changes

**aeromatic** 

## DIMENSIONS



FRONT VIEW

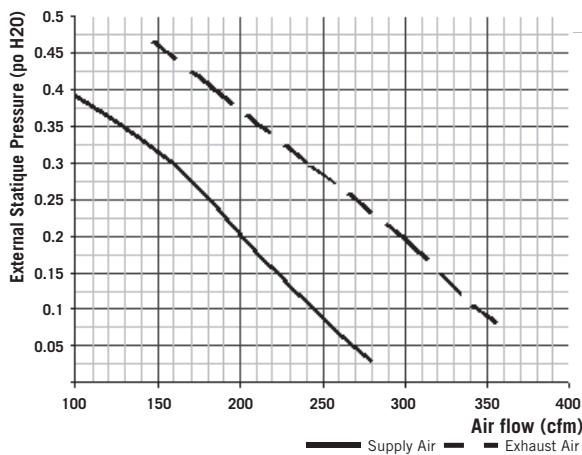


SIDE VIEW

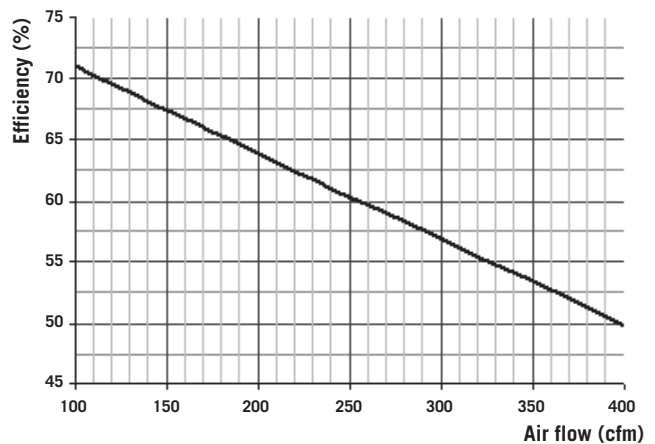
COMMERCIAL  
MODELS  
HRV

8220

## VENTILATION PERFORMANCE



## ENERGY PERFORMANCE



## TECHNICAL SPECIFICATIONS

<b>Dimensions</b>	Height	25 in.
	Width	30 in.
	Depth	16 7/8 in.
<b>Weight</b>		70 lb
<b>Ducts</b>		8 in. x 8 in. (square)
<b>Ventilators</b>		2
<b>Electrical characteristics</b>	Voltage	120 V
	Current	6.6 A
<b>Recovery core</b>	Material	Polypropylene
	Dimensions	13 1/2 in. x 13 1/2 in. x 14 7/8 in.
<b>Filters</b>	Material	Aluminum or coal or high efficiency
	Qty	2
	Dimensions	14 7/8 in. x 12 7/8 in. x 3/8 in.
<b>Unit warranty</b>		3 yrs
<b>Recovery core warranty</b>		Lifetime

Date:	Qty:
Submitted by:	
Model #:	
Project:	
Location:	
Architect:	
Engineer:	
Contractor:	