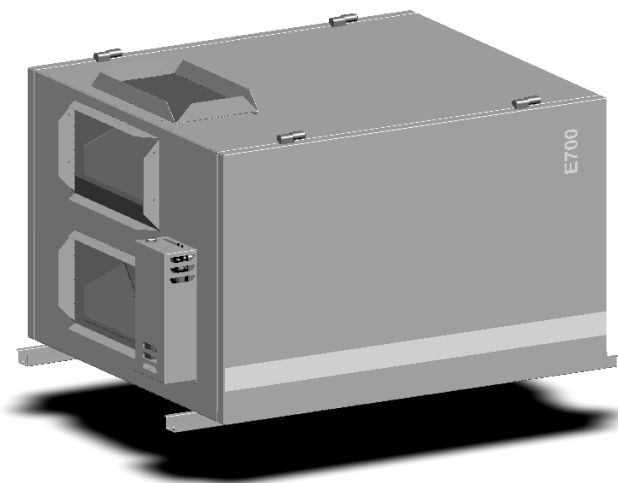


SERIES E700

ENERGY RECOVERY VENTILATOR
FOR SPACIOUS HOMES AND SMALL BUSINESSES



AEROMATIC E700


The AÉROMATIC E700 is an energy recovery ventilator of 700 CFM. This energy recovery ventilator is the ideal powerful unit for spacious homes, businesses, daycare centers, clinics, bars, restaurants, etc.

The AÉROMATIC E700 is the ultimate solution to prevent excess humidity and improve air quality. Optional version with air recirculation system is available.

- High performance air flow
- Silent
- Highly cost effective and cost efficient

Norms and certifications

- Conformity to Norm :
 - C22.2 no113
 - UL 507

- Certified 

Casing

Material : Pre-painted steel 22GA
Insulation : 1" foil faced fibreglass
Drain connection : Ø3/8" or Ø 1/2"
Duct diameter: 8 in x 14 in
Height : 23 7/8 in
Width : 36 1/4 in
Depth : 32 1/4 in
Weight : 150 lbs

Blowers

Number : 2
Type: backward curved centrifugal fans

Mount

Suspended by chains with anti-vibration springs or on a shelf

Electrical Specifications

Tension : 120 VAC
Frequency : 60 Hz
Amperage : 5.5 A
Power : 660 Watt
Electrical wiring : Extension cord

Control

Low voltage dry contact (24 VAC 20Va) for :

- Occupancy control (start / stop)
- Fan interlock (NO and NC)
- Speed selection
- Exchange / recirculation (with E700-D)

24VAC 10VA output for :

- Supply air damper
- Exhaust air damper

Compatible with :

- Liquid crystal display electronic humidistat (no 611227)
- Mode Control (exchange or recirculation) (no 611230)
- Humidity Control (no 611224)
- Speed Control (intermittent, high or low speed) (no 611229)
- Timer (no 611228)

Defrost

Cycles Controlled by a temperature sensor

- By exhaust only
- By recirculation (optional)

DEFROST CYCLE TEMPERATURE

Outside temperature Celsius	Outside temperature Fahrenheit	Standard min def/vent	Extended min def/vent
t > -5	t > 23	n.a.	n.a.
-5 > t > -25	23 > t > -13	7/25	10/20
-25 > t	-13 > t	10/22	10/15

Filters

Number : 4
Type (standard) : Washable, aluminum (no 683901)
Options and restriction

Airflow (CFM)	MERV 8	Coal	High Efficiency
300	0.04	0.04	0.22
500	0.08	0.08	0.35
700	0.15	0.15	0.48

Dimensions : 13 3/4 in X 15 in X 7/8 in

Recovery Core

Material : Polymeric membrane

Performance certified :



Quantity: 2
Dimensions : 12 in X 12 in X 15 in
Step : 2.5mm

Warranty

Appliance : limited 2 years
Core Assembly : limited 3 years

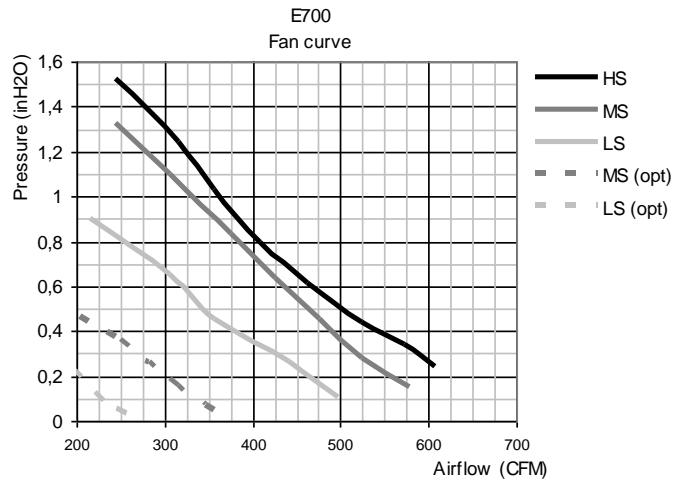
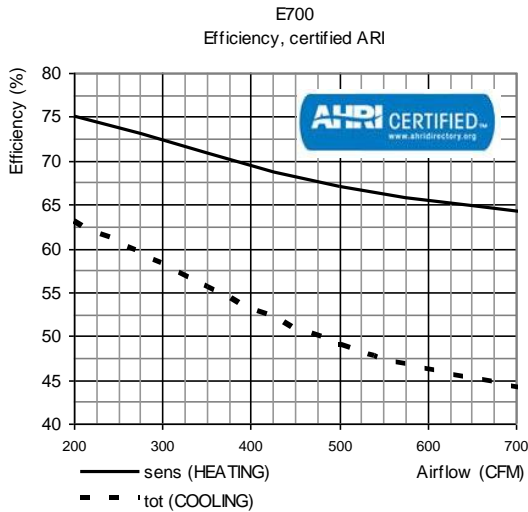
846, de la Station, bureau 101 - Saint-Léonard d'Aston (Québec) - Canada J0C 1M0
T 819.399.3400 1.800.262.0916 - F 819.399.4001 - info@air2000.ca - www.air2000.ca

SERIES E700

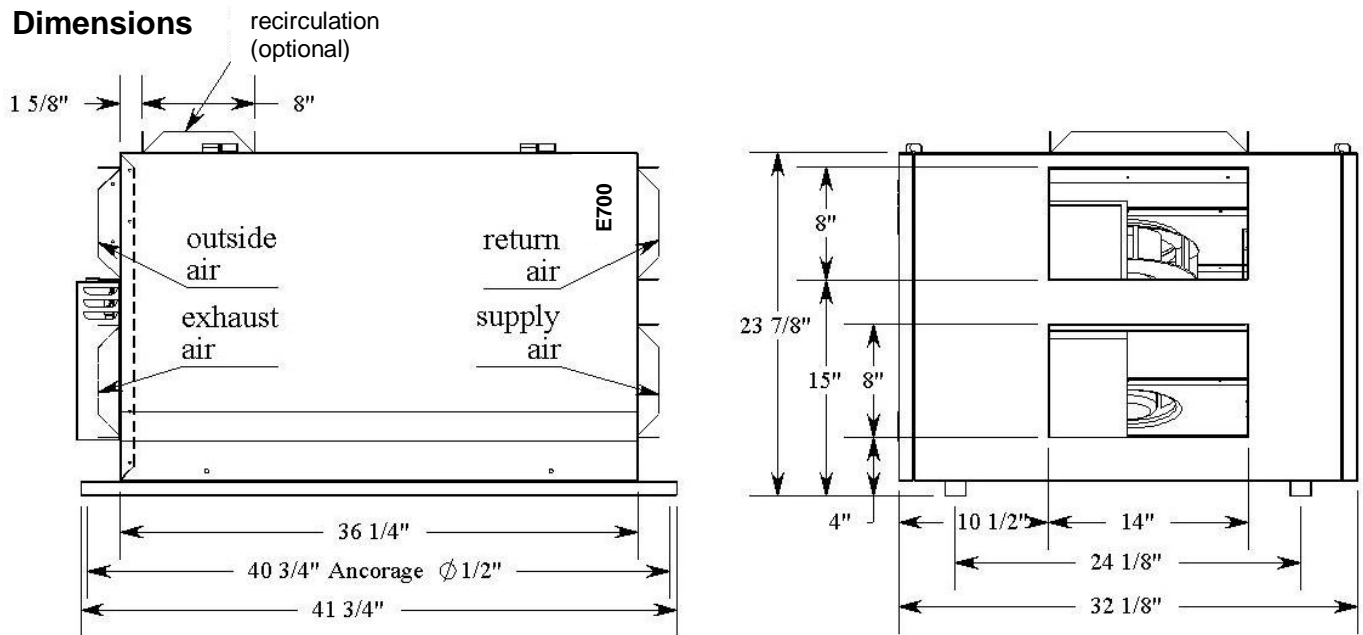
ENERGY RECOVERY VENTILATOR
FOR SPACIOUS HOMES AND SMALL BUSINESSES



Ventilation Performance



Dimensions



Model, options and product number

UNIT :

Tension	Model #	Product #	Qty
120VAC	E700	683304	

OPTIONS :

Description	Product #	Qty
Recirculation	683900	
Aluminum filter (replacement)	683901	
MERV 8 filter	683902	
Coal filter	683903	
High efficiency filter	683904	

Submitted by : _____

Date : _____

Project : _____

Location : _____

Architect : _____

Engineer : _____

Contractor : _____

Remarques : _____

846, de la Station, bureau 101 - Saint-Léonard d'Aston (Québec) - Canada J0C 1M0
T 819.399.3400 1.800.262.0916 - F 819.399.4001 - info@air2000.ca - www.air2000.ca