

SERIES 7295

HEAT RECOVERY VENTILATOR



part #672950



AÉROMATIC 7295

The AEROMATIC 7295 is a heat recovery ventilator of 212 CFM. It is designed for spacious homes and small commercial facilities.

The AEROMATIC 7295 is equipped with an integrated electronic control. It offers flexibility of operation and adjustment.

- Compact
- Flexibility of installation
- High recovery efficiency
- Integrated Thermal Sensor
- Recirculation defrost, to prevent depressurisation
- Inside Lining is aluminum to facilitate cleaning
- Silent
- Very economical

Norms and certifications

- Conformity to Norms :
 - C22.2 no113
 - UL 507

- Certified



Casing

Material : Pre-painted steel 24GA
Isolation : expanded polystyrene and fiberglass with FSK
Drain connection : Ø3/8"
Duct diameter: Ø6 in
Height : 21 7/8 in
Width : 31 in
Depth : 17 in
Weight : 62 lbs

Mount

Suspended by chains with anti-vibration springs or a shelf

Ventilators

Number : 2
Type : Motorized impeller (backward inclined centrifugal fan)
Dimensions : Ø220mm X 63mm

Electrical Specifications

Tension : 120 VAC
Frequency : 60 Hz
Amperage : 2.1 A
Power : 252 Watt
Extension Cord: 3 feet with a 3 prongs plug

Control

Low voltage dry contact (24 VAC) for :

- Liquid crystal display electronic humidistat #611227
- Mode Control (exchange or recirculation) #611230
- Humidity Control #611224
- Speed Control (intermittent, high or low speed) #611229
- Timer #611228

Defrost

DEFROST CYCLE TEMPERATURE

Outside temperature

Celsius	Fahrenheit	min def/vent
t > -4	t > 24.8	n.a.
-4 > t > -27	24.8 > t > -16.6	6/20
-27 > t	-16.6 > t	10/22

- Cycles Controlled by a temperature sensor
- By recirculation

Filters

Number : 2
Type : Aluminium #612266
Type options ; Coal #612264 or high efficiency #612265
Dimensions : 11 3/8 in X 15 in X 3/8 in

Recovery Core

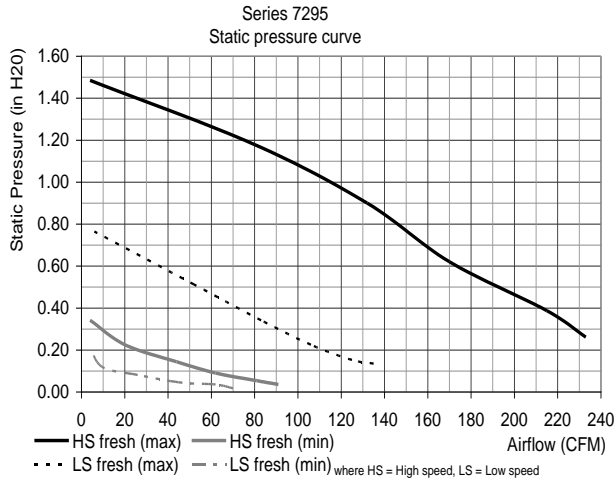
Material : Polypropylene
Dimensions : 11 15/16 in X 11 15/16 in X 15 in
Step : 2.5mm

Warranty

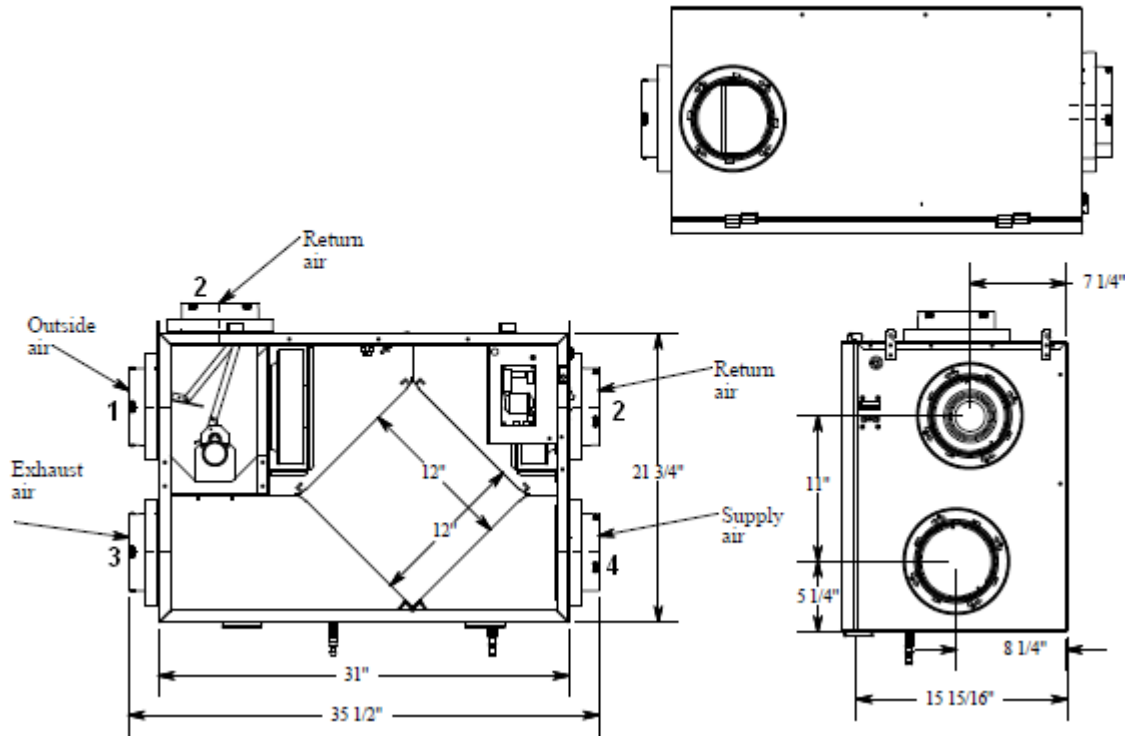
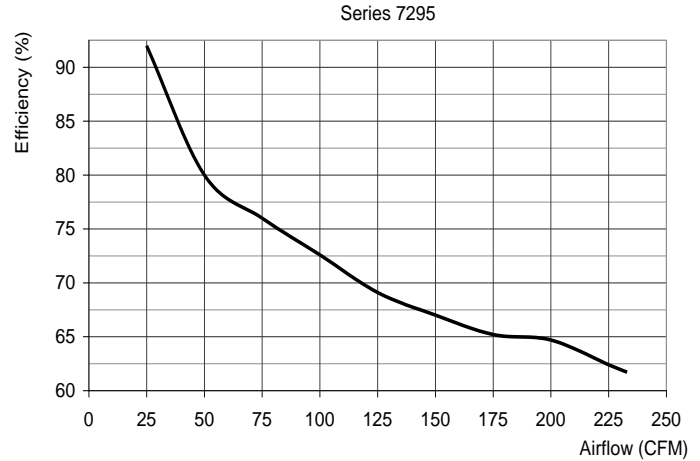
Appliance : limited 5 years
Core Assembly : limited life time

846, de la Station, bureau 101 - Saint-Léonard d'Aston (Québec) - Canada J0C 1M0
T 819.399.3400 1.800.262.0916 - F 819.399.4001 - info@air2000.ca - www.air2000.ca

Ventilator Performance



Apparent Effectiveness



Submitted by :		Date :	Project :
Qty :	Model # :	Comments :	Location :
			Architect :
			Engineer :
			Contractor :

846, de la Station, bureau 101 - Saint-Léonard d'Aston (Québec) - Canada J0C 1M0
 T 819.399.3400 1.800.262.0916 - F 819.399.4001 - info@air2000.ca - www.air2000.ca