

SERIES 7292

HEAT RECOVERY VENTILATOR



part #672920



AÉROMATIC 7292


The AEROMATIC 7292 offers great heat recovery efficiency. It offers 159 CFM and it is ideal for installation in a spacious home and small business.

The AEROMATIC 7292 is equipped with an integrated electronic control. It offers flexibility of operation and adjustment.

- Compact
- Flexibility of installation
- High recovery efficiency
- Integrated Thermal Sensor
- Circulation defrost, to prevent depressurisation
- Inside Lining is aluminum to facilitate cleaning
- Silent
- Very economical

Norms and certifications

- Conformity to Norms :
 - C22.2 no113
 - UL 507

- Certified 

Casing

Material : Pre-painted steel 24GA
 Isolation : fiberglass with FSK
 Drain connection : Ø3/8"
 Duct diameter: Ø6 in
 Height : 19 1/2 in
 Width : 29 1/4 in
 Depth : 15 3/4 in
 Weight : 52 lbs

Mount

Suspended by chains with anti-vibration springs or a shelf

Ventilators

Number : 2
 Type : Motorized impeller (backward inclined centrifugal fan)
 Dimensions : Ø190mm X 68.5mm

Electrical Specifications

Tension : 120 VAC
 Frequency : 60 Hz
 Amperage : 1.8 A
 Power : 216 Watt
 Extension Cord: 3 feet with a 3 prongs plug

Control

Low voltage dry contact (24 VAC) for :

- Liquid crystal display electronic humidistat #611227
- Mode Control (exchange or recirculation) #611230
- Humidity Control #611224
- Speed Control (intermittent, high or low speed) #611229
- Timer #611228

Defrost

DEFROST CYCLE TEMPERATURE

Outside temperature

Celsius	Fahrenheit	min def/vent
t > -4	t > 24.8	n.a.
-4 > t > -27	24.8 > t > -16.6	7/28
-27 > t	-16.6 > t	10/22

- Cycles Controlled by a temperature sensor
- By recirculation

Filters

Number : 2
 Type : Aluminium #612261
 Type options ;, Carbon #612262 or high efficiency #612263
 Dimensions : 11 3/8 in X 13 11/16 in X 3/8 in

Recovery Core

Material : Polypropylene
 Dimensions : 11 15/16 in X 11 15/16 in X 13 5/8 in
 Step : 2.5mm

Warranty

Appliance : limited 5 years
 Core Assembly : limited life time

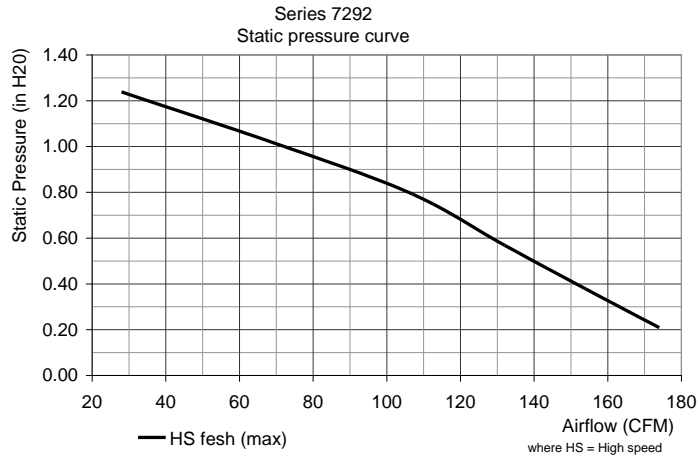
846, de la Station, bureau 101 - Saint-Léonard d'Aston (Québec) - Canada J0C 1M0
 T 819.399.3400 1.800.262.0916 - F 819.399.4001 - info@air2000.ca - www.air2000.ca

SERIES 7292

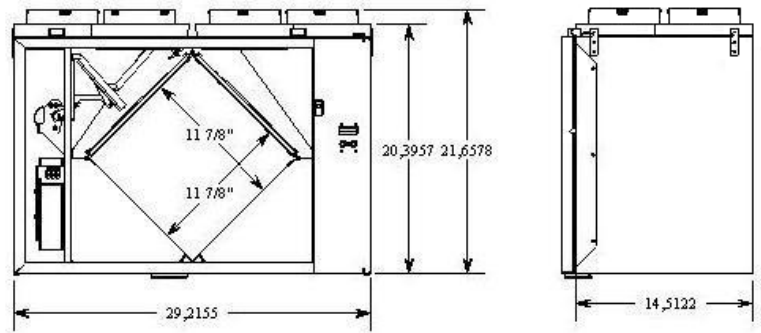
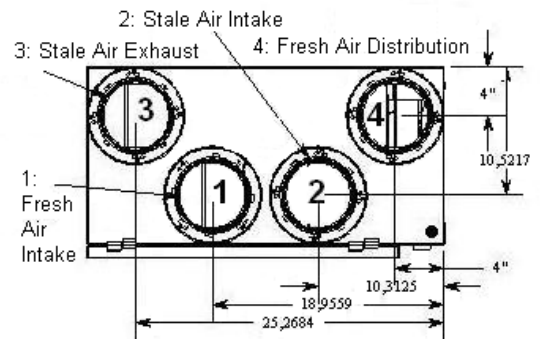
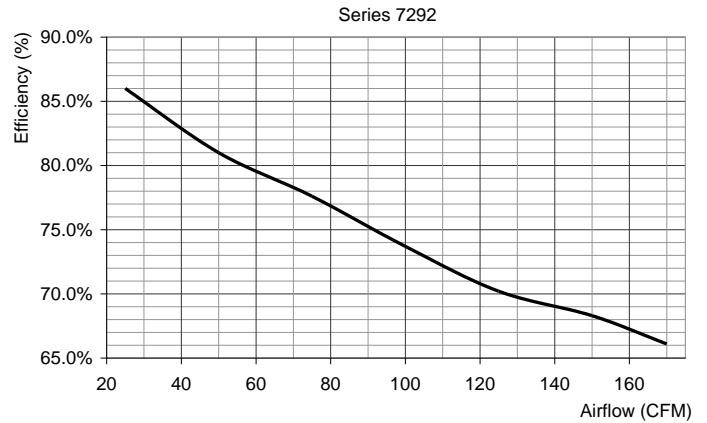
HEAT RECOVERY VENTILATOR



Ventilator Performance



Apparent Effectiveness



Submitted by :		Date :	Project :
Qty :	Model # :	Comments :	Location :
			Architect :
			Engineer :
			Contractor :

846, de la Station, bureau 101 - Saint-Léonard d'Aston (Québec) - Canada J0C 1M0
 T 819.399.3400 1.800.262.0916 - F 819.399.4001 - info@air2000.ca - www.air2000.ca