

SERIES 7290

HEAT RECOVERY VENTILATOR



part #672900



AÉROMATIC 7290

The AÉROMATIC 7290 is a heat recovery ventilator of 102 CFM. It is conceived for apartments and condominiums. Its compact conception and its ducts on the top endow it with a big flexibility to install.


The AÉROMATIC 7290 offers impressive heat recovery efficiency for such a small case. The electronic Control card offers an electronic calibration of the appliance as well as infinite speeds of operations.

- Compact
- Flexibility of installation
- High recovery efficiency
- Integrated Thermal Sensor
- Circulation defrost, to prevent depressurisation
- Inside Lining is aluminum to facilitate cleaning
- Silent
- Very economical

Norms and certifications

- Certified Performances
- Conformity to Norms :
 - C22.2 no113
 - UL 507



- Certified 

Casing

Material : Pre-painted steel 24GA
 Isolation : Fiberglass with FSK
 Drain connection : Ø3/8"
 Duct diameter: Ø5 in
 Height : 21 3/8 in
 Width : 24 3/4 in
 Depth : 15 5/8 in
 Weight : 58 lbs

Mount

Suspended by chains with anti-vibration springs or a shelf

Ventilators

Number : 2
 Type : Motorized impeller (backward inclined centrifugal fan)
 Dimensions : Ø190mm X 68.5mm

Electrical Specifications

Tension : 120 VAC
 Frequency : 60 Hz
 Amperage : 1.8 A
 Power : 216 Watt
 Extension Cord: 3 feet with a 3 prongs plug

Control

Low voltage dry contact (24 VAC) for :

- Liquid crystal display electronic humidistat #611227
- Mode Control (exchange or recirculation) #611230
- Humidity Control #611224
- Speed Control (intermittent, high or low speed) #611229
- Timer #611228

Defrost

DEFROST CYCLE TEMPERATURE

| Outside temperature | | Standard |
|-----------------------------|-------------------------------|--------------|
| Celsius | Fahrenheit | min def/vent |
| $t \geq -4^{\circ}\text{C}$ | $t \geq 24.8^{\circ}\text{F}$ | n.a. |
| $-4 > t > -27$ | $24.8 \geq t \geq -16.6$ | 7/23 |
| $-27 \geq t$ | $-16.6 \geq t$ | 10/20 |

- Cycles Controlled by a temperature sensor
- By recirculation

Filters

Number : 2
 Type : washable foam 20 ppi #612405
 Type options ; Aluminium #612404, Carbon #612406 or high efficiency #612407
 Dimensions : 11 3/8 in X 13 5/8 in X 3/8 in

Recovery Core

Material : Polypropylene
 Dimensions : 11 15/16in X 11 15/16in X 13 5/8 in
 Step : 2.0mm and 2.5mm

Warranty

Appliance : limited 5 years
 Core Assembly : limited life time

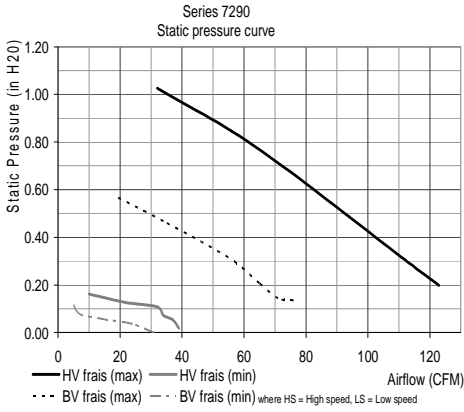
846, de la Station, bureau 101 - Saint-Léonard d'Aston (Québec) - Canada J0C 1M0
 T 819.399.3400 1.800.262.0916 - F 819.399.4001 - info@air2000.ca - www.air2000.ca

SERIES 7290

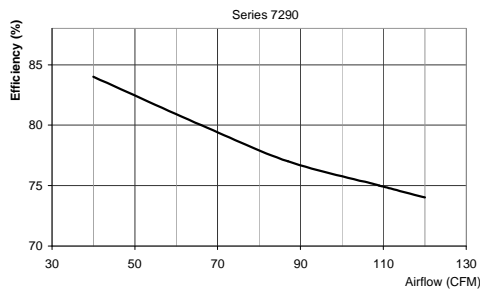
HEAT RECOVERY VENTILATOR



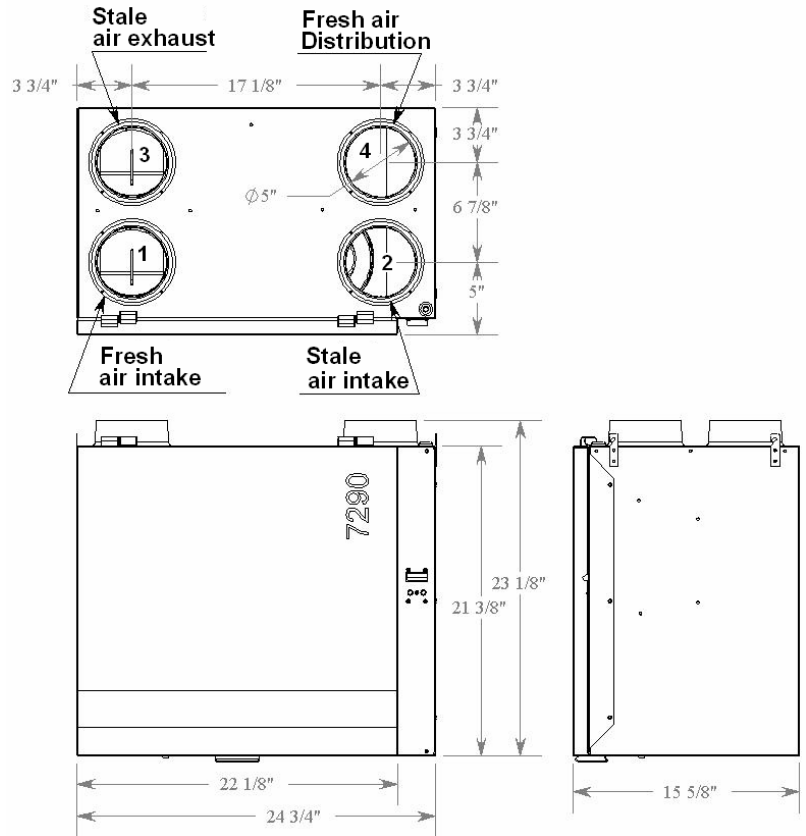
Ventilator Performance



Apparent Effectiveness



Dimensions



ENERGY PERFORMANCE

| | SUPPLY TEMPERATURE | | NET AIR FLOW | | POWER CONSUMED WATTS | SENSIBLE RECOVERY EFFICIENCY | APPARENT SENSIBLE EFFECTIVENESS | LATENT RECOVERY/MOISTURE TRANSFER |
|---------|--------------------|-----|--------------|-----|----------------------|------------------------------|---------------------------------|-----------------------------------|
| | °C | °F | L/S | CFM | | | | |
| HEATING | 0 | +32 | 31 | 66 | 128 | 65 | 80 | 0.01 |
| | 0 | +32 | 41 | 87 | 152 | 63 | 77 | 0.00 |
| | 0 | +32 | 51 | 109 | 172 | 62 | 75 | 0.02 |
| | -25 | -13 | 33 | 70 | 136 | 62 | 82 | 0.06 |

| | | | |
|----------------|-----------|------------|--------------|
| Submitted by : | | Date : | Project : |
| Qty : | Model # : | Comments : | Location : |
| | | | Architect : |
| | | | Engineer : |
| | | | Contractor : |

846, de la Station, bureau 101 - Saint-Léonard d'Aston (Québec) - Canada J0C 1M0
 T 819.399.3400 1.800.262.0916 - F 819.399.4001 - info@air2000.ca - www.air2000.ca