

SERIES 7261H

SENSIBLE AND LATENT ENERGY RECOVERY VENTILATOR
FOR APPARTMENTS AND CONDOMINIUMS



part #672617



AÉROMATIC 7261H

The AÉROMATIC 7261H is a sensible and latent energy recovery ventilator of 106 CFM. It is conceived for apartments and condominiums. Its compact conception and its ducts on the top endow it with a big flexibility to install.

The AÉROMATIC 7261H offers impressive heat recovery efficiency for such a small case. The electronic Control card offers an electronic calibration of the appliance as well as infinite speeds of operations.

- Compact
- Flexibility of installation
- High recovery efficiency
- Integrated Thermal Sensor
- Evacuation defrost
- Inside Lining is aluminum to facilitate cleaning
- Silent
- Very economical

Norms and certifications

- Conformity to Norms :
 - C22.2 no113
 - UL 507

- Certified



Casing

Material : Pre-painted steel 24GA
Isolation : expanded polystyrene and fiberglass with FSK
Drain connection : Ø3/8"
Duct diameter: Ø5 in
Height : 20 3/8 in
Width : 20 1/4 in
Depth : 13 1/2 in
Weight : 41 lbs

Mount

Suspended by chains with anti-vibration springs or a shelf

Ventilators

Number : 2
Type : Motorized impeller (backward inclined centrifugal fan)
Dimensions : Ø190mm X 68.5mm

Electrical Specifications

Tension : 120 VAC
Frequency : 60 Hz
Amperage : 1.8 A
Power : 216 Watt
Extension Cord: 3 feet with a 3 prongs plug

Control

Low voltage dry contact (24 VAC) for :

- Liquid crystal display electronic humidistat #611227
- Mode Control (exchange or recirculation) #611230
- Humidity Control #611224
- Speed Control (intermittent, high or low speed) #611229
- Timer #611228

Defrost

DEFROST CYCLE TEMPERATURE

Outside temperature

Celsius	Fahrenheit	min def/vent
t > -4	t > 24.8	n.a.
-4 > t > -27	24.8 > t > -16.6	7/23
-27 > t	-16.6 > t	10/22

- Cycles Controlled by a temperature sensor
- By evacuation

Filters

Number : 2

Type : washable foam 20 ppi #612405

Type options ; Aluminium #612404, Carbon #612406 or high efficiency #612407

Dimensions : 7 1/4 in X 11 3/4 in X 3/8 in

Recovery Core

Material : Polymeric membrane

Dimensions : 11 15/16in X 11 15/16in X 7 1/16 in

Step : 2.5mm / 2.5mm

Warranty

Appliance : limited 2 years

Core Assembly : limited 2 years

846, de la Station, bureau 101 - Saint-Léonard d'Aston (Québec) - Canada J0C 1M0
T 819.399.3400 1.800.262.0916 - F 819.399.4001 - info@air2000.ca - www.air2000.ca

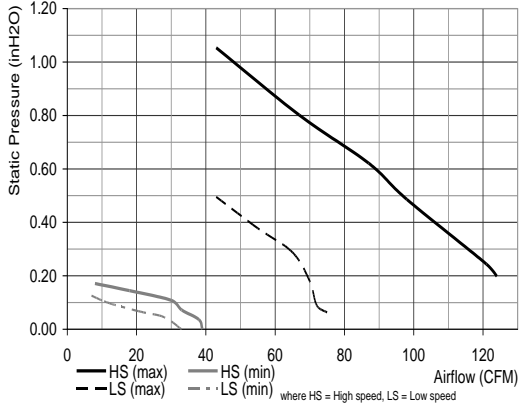
SERIES 7261H

**SENSIBLE AND LATENT ENERGY RECOVERY VENTILATOR
FOR APARTMENTS AND CONDOMINIUMS**

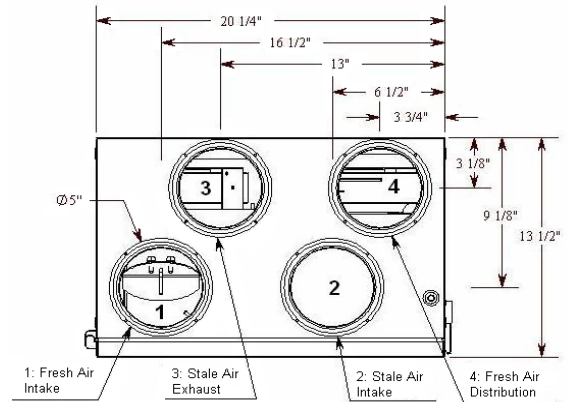


Ventilator Performance

Series 7261H enthalpy
Static pressure curve

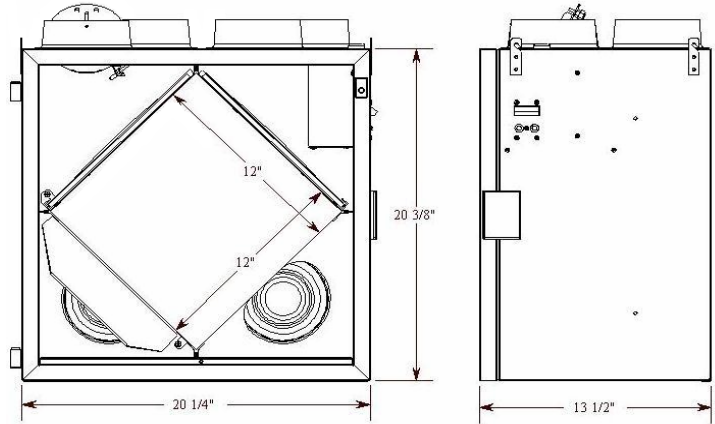
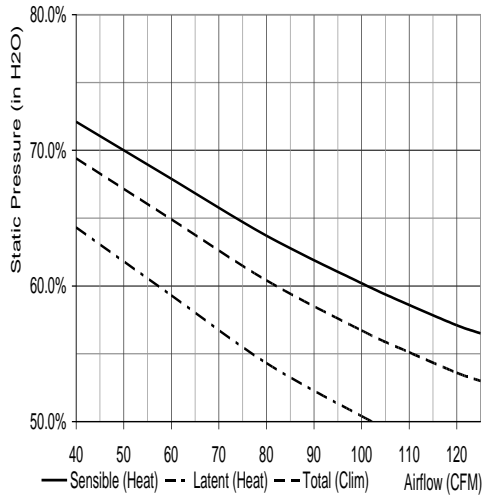


Dimensions



Apparent Effectiveness

Series 7261H enthalpy



Submitted by :		Date :	Project :
Qty :	Model # :	Comments :	Location :
			Architect :
			Engineer :
			Contractor :

846, de la Station, bureau 101 - Saint-Léonard d'Aston (Québec) - Canada J0C 1M0
T 819.399.3400 1.800.262.0916 - F 819.399.4001 - info@air2000.ca - www.air2000.ca