

# SERIES 7261

HEAT RECOVERY VENTILATOR  
FOR APARTMENTS AND CONDOMINIUMS



part #672610



## AÉROMATIC 7261

The AÉROMATIC 7261 is a heat recovery ventilator of 116 CFM. It is conceived for apartments and condominiums. Its compact conception and its ducts on the top endow it with a big flexibility to install.

The AÉROMATIC 7261 offers impressive heat recovery efficiency for such a small case. The electronic Control card offers an electronic calibration of the appliance as well as infinite speeds of operations.

- Compact
- Flexibility of installation
- High recovery efficiency
- Integrated Thermal Sensor
- Evacuation defrost
- Inside Lining is aluminum to facilitate cleaning
- Silent
- Very economical

## Norms and certifications

- Certified Performances
- Conformity to Norms :
  - C22.2 no113
  - UL 507

- Certified



## Casing

Material : Pre-painted steel 24GA  
Isolation : expanded polystyrene and fiberglass with FSK  
Drain connection : Ø3/8"  
Duct diameter: Ø5 in  
Height : 20 3/8 in  
Width : 20 1/4 in  
Depth : 13 1/2 in  
Weight : 39 lbs

## Mount

Suspended by chains with anti-vibration springs or a shelf

## Ventilators

Number : 2  
Type : Motorized impeller (backward inclined centrifugal fan)  
Dimensions : Ø190mm X 68.5mm

## Electrical Specifications

Tension : 120 VAC  
Frequency : 60 Hz  
Amperage : 1.8 A  
Power : 216 Watt  
Extension Cord: 3 feet with a 3 prongs plug

## Control

Low voltage dry contact (24 VAC) for :

- Liquid crystal display electronic humidistat #611227
- Mode Control (exchange or recirculation) #611230
- Humidity Control #611224
- Speed Control (intermittent, high or low speed) #611229
- Timer #611228

## Defrost

### DEFROST CYCLE TEMPERATURE

Outside temperature

Celsius	Fahrenheit	min def/vent
t > -4	t > 24.8	n.a.
-4 > t > -27	24.8 > t > -16.6	7/23
-27 > t	-16.6 > t	10/22

- Cycles Controlled by a temperature sensor
- By evacuation

## Filters

Number : 2

Type : washable foam 20 ppi #612405

Type options ; Aluminium #612404, Carbon #612406 or high efficiency #612407

Dimensions : 7 1/4 in X 11 3/4 in X 3/8 in

## Recovery Core

Material : Polypropylene

Dimensions : 11 15/16in X 11 15/16in X 7 1/16 in

Step : 4.0mm and 4.0mm

## Warranty

Appliance : limited 5 years

Core Assembly : limited life time

846, de la Station, bureau 101 - Saint-Léonard d'Aston (Québec) - Canada J0C 1M0  
T 819.399.3400 1.800.262.0916 - F 819.399.4001 - [info@air2000.ca](mailto:info@air2000.ca) - [www.air2000.ca](http://www.air2000.ca)

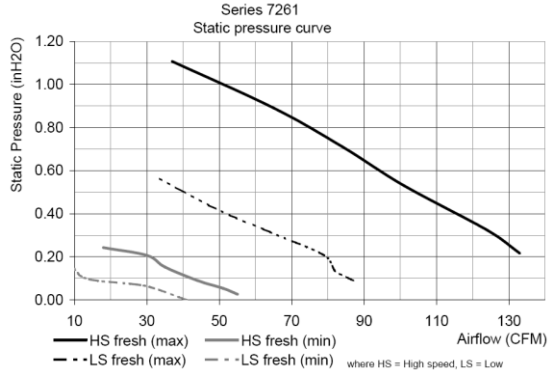
# SERIES 7261

## HEAT RECOVERY VENTILATOR

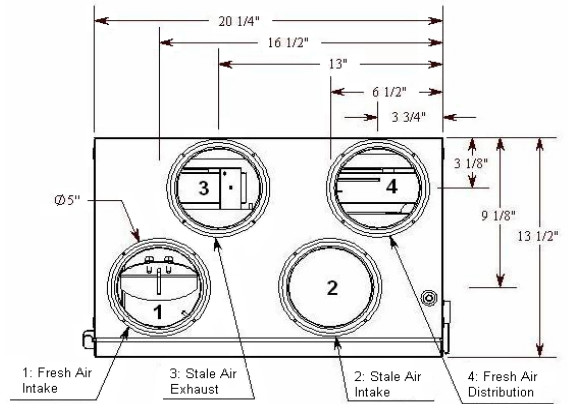
### FOR APPARTMENTS AND CONDOMINIUMS



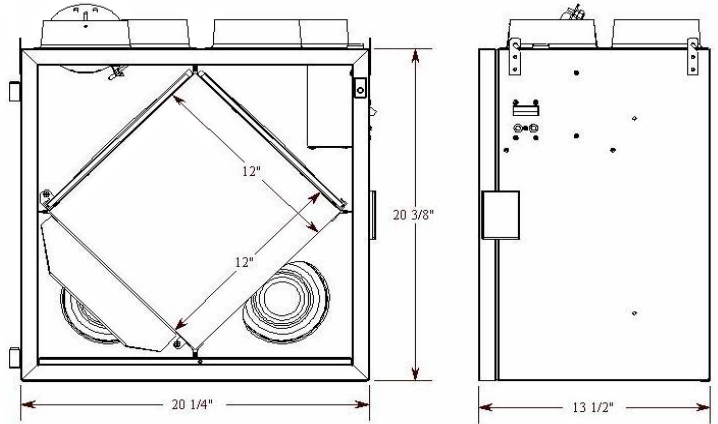
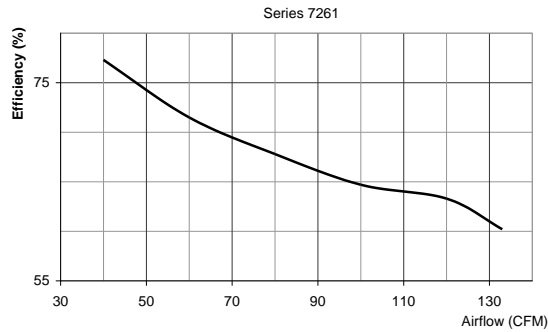
#### Ventilator Performance



#### Dimensions



#### Apparent Effectiveness



Submitted by :		Date :	Project :
Qty :	Model # :	Comments :	Location :
			Architect :
			Engineer :
			Contractor :

846, de la Station, bureau 101 - Saint-Léonard d'Aston (Québec) - Canada J0C 1M0  
T 819.399.3400 1.800.262.0916 - F 819.399.4001 - [info@air2000.ca](mailto:info@air2000.ca) - [www.air2000.ca](http://www.air2000.ca)