

SERIES 7261

HEAT RECOVERY VENTILATOR

FOR APPARTMENTS AND CONDOMINIUMS



part #672610



AÉROMATIC 7261

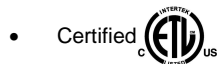
The AÉROMATIC 7261 is a heat recovery ventilator of 116 CFM. It is conceived for apartments and condominiums. Its compact conception and its ducts on the top endow it with a big flexibility to install.

The AÉROMATIC 7261 offers impressive heat recovery efficiency for such a small case. The electronic Control card offers an electronic calibration of the appliance as well as infinite speeds of operations.

- Compact
- Flexibility of installation
- High recovery efficiency
- Integrated Thermal Sensor
- Evacuation defrost
- Inside Lining is aluminum to facilitate cleaning
- Silent
- Very economical

Norms and certifications

- Certified Performances
- Conformity to Norms :
 - C22.2 no113
 - UL 507



Casing

Material : Pre-painted steel 24GA
 Isolation : expanded polystyrene and fibre glass with FSK
 Drain connection : Ø3/8"
 Duct diameter: Ø5 in
 Height : 20 3/8 in
 Width : 20 1/4 in
 Depth : 13 1/2 in
 Weight : 35 lbs

Mount

Suspended by chains with anti-vibration springs or a shelf

Ventilators

Number : 2
 Type : Motorized impeller (backward inclined centrifugal fan)
 Dimensions : Ø190mm X 68.5mm

Electrical Specifications

Tension : 120 VAC
 Frequency : 60 Hz
 Amperage : 1.8 A
 Power : 216 Watt
 Extension Cord: 3 feet with a 3 prongs plug

Control

Low voltage dry contact (24 VAC) for :

- Liquid crystal display electronic humidistat #611227
- Mode Control (exchange or recirculation) #611230
- Humidity Control #611224
- Speed Control (intermittent, high or low speed) #611229
- Timer #611228

Defrost

DEFROST CYCLE TEMPERATURE

Outside temperature		Standard
Celsius	Fahrenheit	min def/vent
$t \geq -4^{\circ}\text{C}$	$t \geq 24.8^{\circ}\text{F}$	n.a.
$-4 > t > -27$	$24.8 \geq t \geq -16.6$	7/23
$-27 \geq t$	$-16.6 \geq t$	10/20

- Cycles Controlled by a temperature sensor
- By evacuation

Filters

Number : 2
 Type : washable foam 20 ppi #612405
 Type options ; Aluminium #612404, Carbon #612406 or high efficiency #612407
 Dimensions : 7 1/4 in X 11 3/4 in X 3/8 in

Recovery Core

Material : Polypropylene
 Dimensions : 11 15/16in X 11 15/16in X 7 1/16 in
 Step : 4.0mm and 4.0mm

Warranty

Appliance : limited 5 years
 Core Assembly : limited life time

846, de la Station, bureau 101 - Saint-Léonard d'Aston (Québec) - Canada J0C 1M0
 T 819.399.3400 1.800.262.0916 - F 819.399.4001 - info@air2000.ca - www.air2000.ca

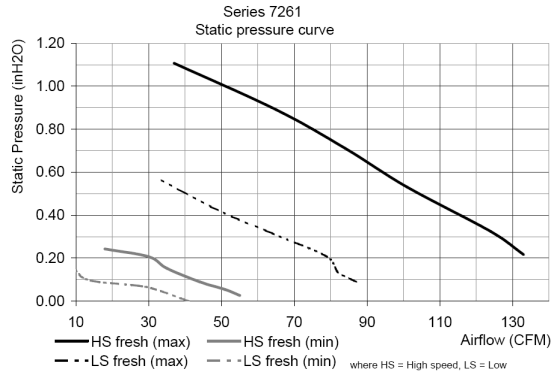
SERIES 7261

HEAT RECOVERY VENTILATOR

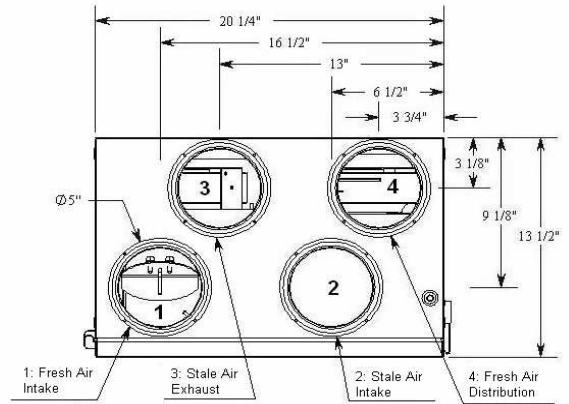
FOR APPARTMENTS AND CONDOMINIUMS



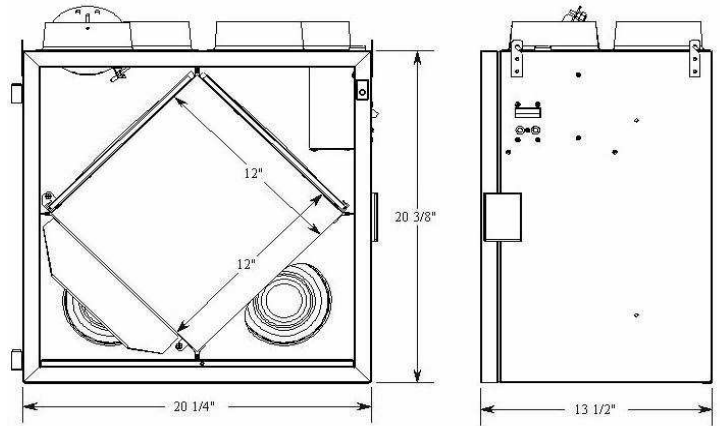
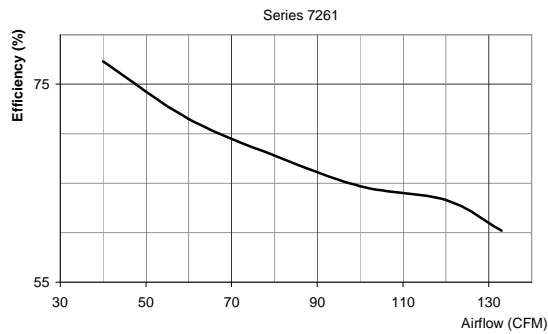
Ventilator Performance



Dimensions



Apparent Effectiveness



Submitted by :		Date :	Project :
Qty :	Model # :	Comments :	Location :
			Architect :
			Engineer :
			Contractor :

846, de la Station, bureau 101 - Saint-Léonard d'Aston (Québec) - Canada J0C 1M0
 T 819.399.3400 1.800.262.0916 - F 819.399.4001 - info@air2000.ca - www.air2000.ca