

# SERIES 7260

## HEAT RECOVERY VENTILATOR

### FOR APPARTMENTS AND CONDOMINIUMS



part #672600



## AÉROMATIC 7260

The AÉROMATIC 7260 is a heat recovery ventilator of 88 CFM. It is conceived for apartments and condominiums. Its compact conception and its ducts on the top endow it with a big flexibility to install.

The AÉROMATIC 7260 offers impressive heat recovery efficiency for such a small case. The electronic Control card offers an electronic calibration of the appliance as well as infinite speeds of operations.

- Compact
- Flexibility of installation
- High recovery efficiency
- Integrated Thermal Sensor
- Recirculation defrost, to avoid depressurisation
- Inside Lining is aluminum to facilitate cleaning
- Silent
- Very economical

### Norms and certifications

- Certified Performances
- Conformity to Norms :
  - C22.2 no113
  - UL 507



- Certified 

### Casing

Material : Pre-painted steel 24GA  
 Isolation : expanded polystyrene and Fiberglass with FSK  
 Drain connection : Ø3/8"  
 Duct diameter: Ø5 in  
 Height : 20 3/8 in  
 Width : 20 1/4 in  
 Depth : 13 1/2 in  
 Weight : 40 lbs

### Mount

Suspended by chains with anti-vibration springs or a shelf

### Ventilators

Number : 2  
 Type : Motorized impeller (backward inclined centrifugal fan)  
 Dimensions : Ø190mm X 68.5mm

### Electrical Specifications

Tension : 120 VAC  
 Frequency : 60 Hz  
 Amperage : 1.8 A  
 Power : 216 Watt  
 Extension Cord: 3 feet with a 3 prongs plug

### Control

- Low voltage dry contact (24 VAC) for :
- Liquid crystal display electronic humidistat #611227
  - Mode Control (exchange or recirculation) #611230
  - Humidity Control #611224
  - Speed Control (intermittent, high or low speed) #611229
  - Timer #611228

### Defrost

#### DEFROST CYCLE TEMPERATURE

Outside temperature

Celsius	Fahrenheit	min def/vent
t > -4	t > 24.8	n.a.
-4 > t > -27	24.8 > t > -16.6	6/20
-27 > t	-16.6 > t	10/22

- Cycles Controlled by a temperature sensor
- By recirculation

### Filters

Number : 2  
 Type : washable foam 20 ppi #612405  
 Type options ; Aluminium #612404, Carbon #612406 or high efficiency #612407  
 Dimensions : 7 1/4 in X 11 3/4 in X 3/8 in

### Recovery Core

Material : Polypropylene  
 Dimensions : 11 15/16 in X 11 15/16 in X 7 1/16 in  
 Step : 2 mm / 2.5mm

### Warranty

Appliance : limited 5 years  
 Core Assembly : limited life time

846, de la Station, bureau 101 - Saint-Léonard d'Aston (Québec) - Canada J0C 1M0  
 T 819.399.3400 1.800.262.0916 - F 819.399.4001 - [info@air2000.ca](mailto:info@air2000.ca) - [www.air2000.ca](http://www.air2000.ca)

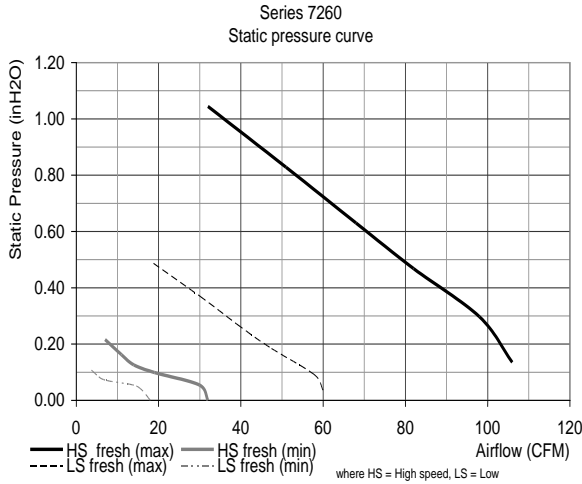
# SERIES 7260

## HEAT RECOVERY VENTILATOR

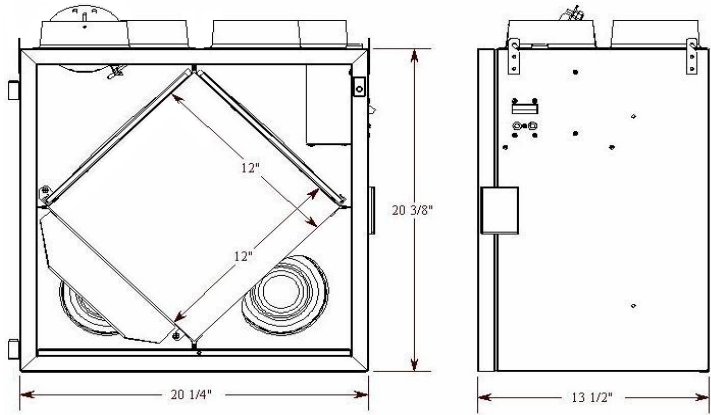
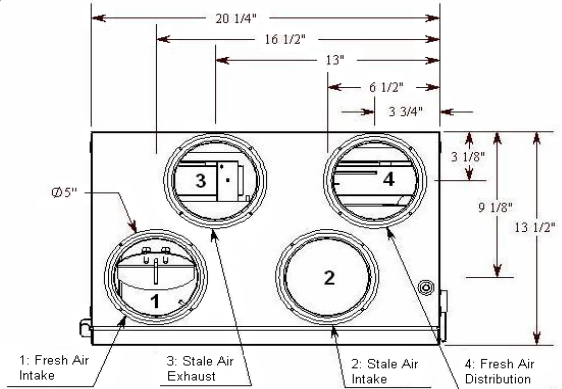
### FOR APARTMENTS AND CONDOMINIUMS



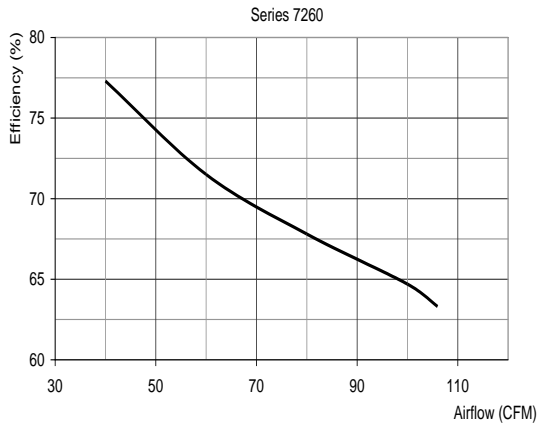
#### Ventilator Performance



#### Dimensions



#### Apparent Effectiveness



#### ENERGY PERFORMANCE

	SUPPLY TEMPERATURE		NET AIR FLOW		POWER CONSUMED WATTS	SENSIBLE RECOVERY EFFICIENCY	APPARENT SENSIBLE EFFECTIVENESS	LATENT RECOVERY/MOISTURE TRANSFER
	°C	°F	L/S	CFM				
HEATING	0	+32	25	54	104	56	75	0.01
	0	+32	31	66	114	56	71	0.02
	0	+32	38	81	126	54	71	0.02
	-25	-13	21	46	95	58	83	0.01

Submitted by :		Date :	Project :
Qty :	Model # :	Comments :	Location :
			Architect :
			Engineer :
			Contractor :

846, de la Station, bureau 101 - Saint-Léonard d'Aston (Québec) - Canada J0C 1M0  
T 819.399.3400 1.800.262.0916 - F 819.399.4001 - [info@air2000.ca](mailto:info@air2000.ca) - [www.air2000.ca](http://www.air2000.ca)